



- **Rated Power** 179kW(240hp)
- **Operating Weight** 19200 ± 500kg
- **Rated Load** 6000kg

- **Excellent productivity**
- **Powerful breakout & traction force**
- **Advanced full hydraulic steering system with flow amplified**
- **ZF transmission & converter with starting protected, neutral gear locked and KD function**
- **Axles with limited slip differential locks**



Overall data

Operating Weight	19200 ± 500kg
Bucket Capacity	3.5m ³
Rated Load	6000kg
Maximum traction	171.3kN
Grade ability	30°
Breakout force	198kN
Static Tipping Load (full 38° turn)	124kN
(straight)	141kN

Engine

	CUMMINS 6CTA8.3-C240
Rated Power	179kW (240hp)@2200rpm
Peak Torque	1017Nm@1500rpm
Displacement	8.3L
Cylinders-Bore x Stroke	6-114 x 135mm

Transmission

ZF 4WG200
 Type: counter shaft-type power shift, semi-automatic electrical hydraulic shifting control

Converter: single-stage, single-phase, three elements torque converter
 Travel Speeds (km/h)

	Gear 1	Gear 2	Gear 3	Gear 4
Forward	0~6	0~11	0~23	0~36
Reverse	0~6	0~11	0~23	

Steering

Articulated frame, full hydraulic power with flow-amplified system, full-flow filtering

Axles

Self-locking differentials and wet multi-disc brakes

Liugong series

Brakes

Full hydraulic wet-disc braking
 Service brakes: All wheels use wet multi-disc brakes
 Parking brakes: Shoe-type brake, operator applies electronic-control

Emergency brakes: Using parking brake, the brake will automatically /manually apply. Equipped with braking low-pressure warning and flameout emergency braking warning system

Hydraulic system

Relief valve setting				20.7MPa
Hydraulic cycle time, rated load in bucket (in second)				
Raise	Dump	Lower(empty, float down)	Total	
6.5	1.5	3.0	11	

Capacities

Fuel tank	320L
Hydraulic tank	210L

Tires

23.5-25

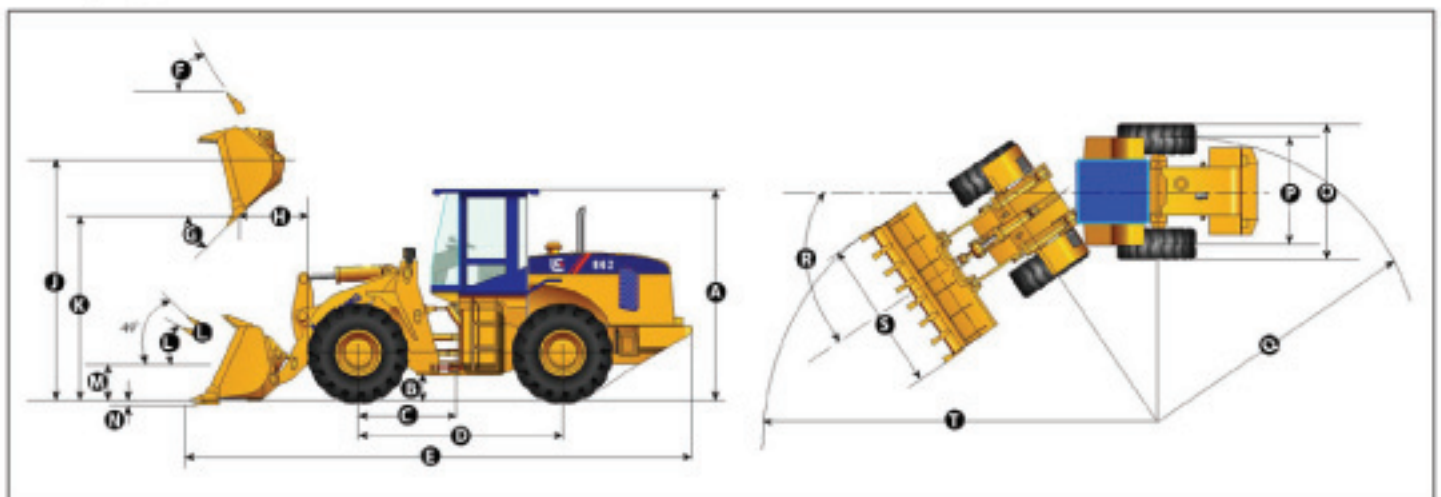
Equipment

- | | | |
|--|--|---|
| <ul style="list-style-type: none"> ● CUMMINS 6CTA8.3-C240 engine ● ZF 4WG200 transmission ● Automatic bucket return-to-dig ● ROPS / FOPS cab ● General purpose bucket ▲ Wheel loader scale ▲ Centralized automatic lubricating system | <ul style="list-style-type: none"> ● Standard ● Pilot control ● Liugong series axles ● Automatic boom height lockout control ● Air conditioner ● Backup alarm | <ul style="list-style-type: none"> ▲ Optional |
|--|--|---|

Dimensions with Bucket

A: Height to top of cab and canopy	3467mm
B: Ground clearance	431mm
C: Length from centerline of front axle	1675mm
D: Wheelbase	3350mm
E: Overall length	8480mm
F: Maximum rollback at full height	62°
G: Bucket dump at full height	45°
H: Dump reach	1200mm
J: Hinge pin height at full lift	4306mm
K: Dump height	3150mm

L: Maximum rollback at ground	44°
M: Hinge pin height at carry position	550mm
N: Maximum digging depth	97mm
O: Width over tires	2800mm
P: Tread width	2200mm
Q: Turning radius outside tires	5965mm
R: Maximum steering angle	38°
S: Bucket width	3010mm
T: Turning radius outside bucket	6991mm



Specifications and design are subject to change without prior notice.
 Machines shown may include optional equipment.